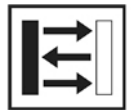


Introducing the new
SpaceGuard SGP 30 series



SpaceGuard Series

SGP 30 Series



NEW

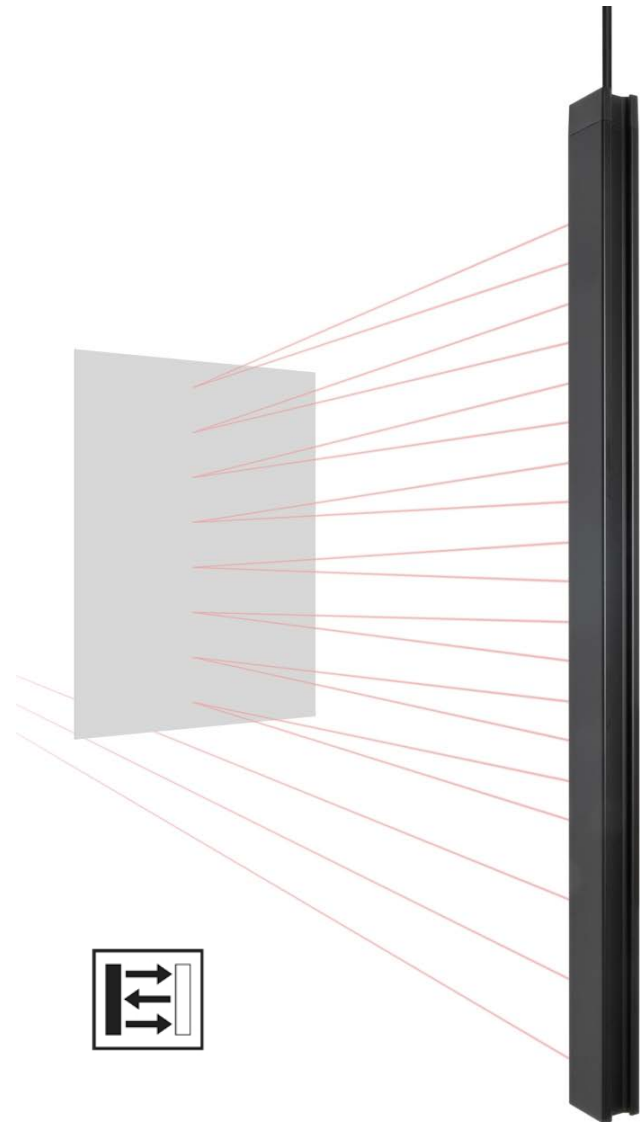
SGP 30 in Brief

- Industrial diffuse proximity light grid
- Self-contained system (no need for separate controller)
- Designed for harsh and hostile environments
- New robust and sturdy aluminium design
- Long range of up to 1,3 metres in proximity mode
- Various lengths ranging from just 510 mm to 1980 mm
- Up to 40 channel pairs
- Channel-pair spacing of 46 mm
- Wire selectable blanking function
- **5 core values (winning points)**



Diffuse Proximity Light Curtain

- Multiple transmitter/receiver channels in same profile, paired in horizontal axis
- Channels operate in diffuse proximity mode over active zone of profile
- Object is detected when emitted light from transmitter element is reflected back, by an object, to the paired receiver
- Discrete output is generated whenever one or more of channels are activated



Technical Data (Part 1)

Operation Mode	Diffuse proximity
Supply Voltage	12-30 V dc
Output	Opto-isolated solid state relay
Output Rating	200 mA
Light Source	High power infrared (880 nm)
Sensing Range	0 - 1,3 m (potentiometer adjustable)
Hysteresis	3 - 12%
Channels (pairs)	From 8 to 40
Channel Spacing	46 mm
Lengths	510 mm to 1980 mm
Active Heights	330 mm to 1800 mm

Technical Data (Part 2)

Construction	New robust, black anodised aluminium profile
Dimensions (W x D)	23,4 x 30,9 mm
Light Immunity	>100 000 lux @ 5° incidence
Operating Temperature	-30 °C to +60 °C
Sealing Class	IP 67
Approvals	CE

Available Models

Available Models				
Housing Length	Active Length	No. of Channel Pairs	Response Time	Output
510 mm	330 mm	8	26 ms	Solid-State NO or NC *
880 mm	695 mm	16	26 ms	Solid-State NO or NC *
1250 mm	1065 mm	24	26 ms	Solid-State NO or NC *
1610 mm	1430 mm	32	32 ms	Solid-State NO or NC *
1980 mm	1800 mm	40	38 ms	Solid-State NO or NC *

* NO or NC output mode is chosen by type

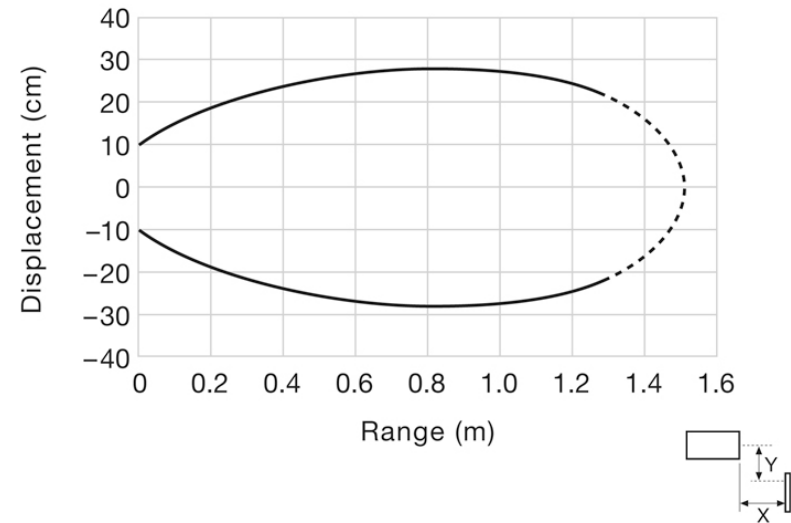
Optical Characteristics

Nominal Sensing Range: **1,3 m**

Scanning Range: +1,5 m

Optical angle: +/- 10 deg

Measured against 20x20 cm
white paper target

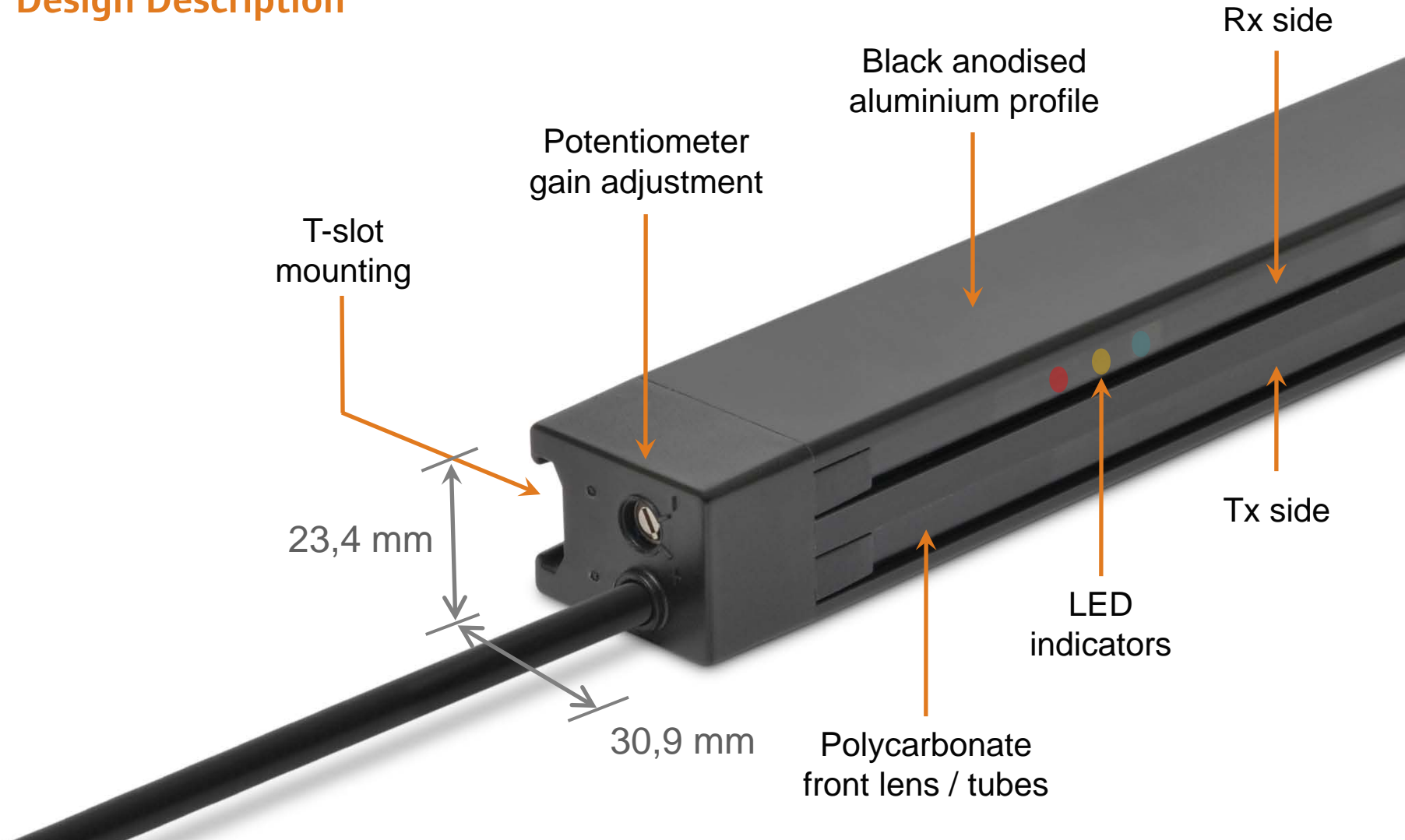


Design Description

The housing design in detail

- Sturdy and robust housing design
- Black anodised aluminium
- Rectangular form of 23,4 x 30,9 mm (w x d)
- IP 67 construction - epoxy sealed plastic caps and enclosed tube design
- Dual polycarbonate front lenses (transmitter and receiver side)
- High resistance to vibration and shock
- T-slot in back of rail profile for easy and versatile mounting

Design Description



LED Indicators

Power on indicates

- **Power on unit**
- Blanking mode set-up

Output indicates

- **Output change / status**
- Interference / optical cross-talk
- Blanking mode set-up

System Status indicates

- Blanking mode set-up and blanked mode active
- Proximity effect issue
- Malfunction



Mounting & Accessories



TR SS53-80 LU
Stainless Steel
(order separately)



T-Slot Fixtures
Steel
(2 units included)



Design - Connection

Black 50 cm pigtail cable with moulded M12, 5-pin straight male plug

10 m extension cables are available separately



Wiring Diagrams

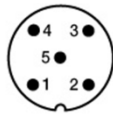
SGP 30



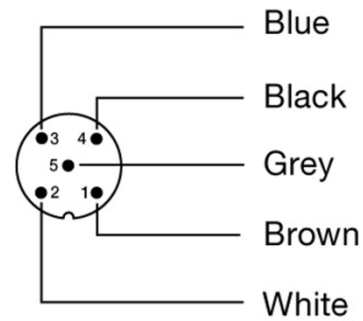
Connections Diagrams

SGP 30 5 pin, M12 male plug

Sensor Plug
(Male)



Cable Plug
(Female)



Connections Table

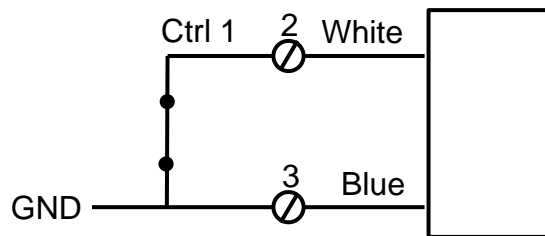
SGP 30

5 pin, M12 male plug connection

Connection	Pin / Wire
Supply +	Pin 1 / Brown
Supply -	Pin 3 / Blue
Output	Pin 5 / Grey
Output	Pin 4 / Black
Blanking function control input (Ctrl1)	Pin 2 / White

Blanking Function

- Configurable blanking of channel pairs
- Any channel pairs can be blanked
- Channels are blanked manually with obstruction (proximity channels detecting objects)
- Control input is temporarily used to memorise blanked channels at set-up via white wire (Pin-2)



Set-up mode



Why the new SGP 30 ?

- **Designed** to offer multiple, diffuse proximity sensors in one system which is easy and quick to install
- **Intended** to offer a unique and alternative solution to applications which use or require individual proximity sensors mounted in-line
- **Intended** for applications that require proximity operation of +1 metre range
- **Designed** to compliment the existing Telco portfolio of products for various niche industries and applications

SGP 30 Applications

- Applications with contaminated and harsh environments - dust, dirt, water
- Applications requiring multi-beam diffuse proximity sensing
- Detection of objects with irregular and varying shapes and sizes
- Applications for counting, sorting, detecting, positioning, levelling
- Any application requiring 'area' detection



Telco's 5 Core Values

1



Easy Alignment

2



Shock & Vibration Resistance

3



Immunity to Light

4



Penetration Power

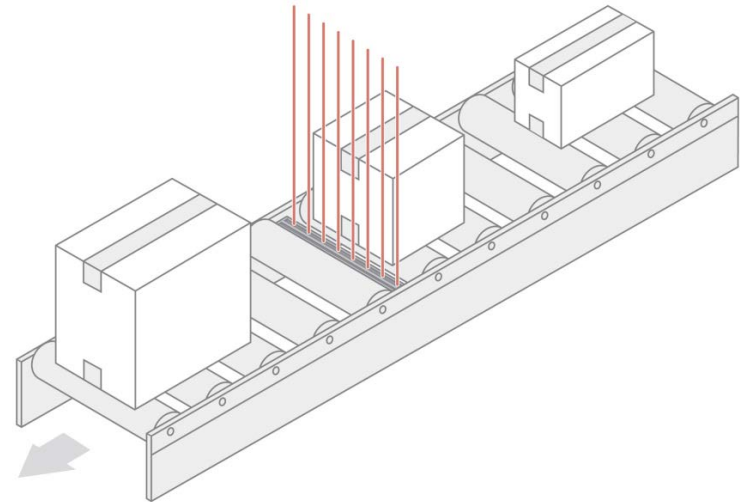
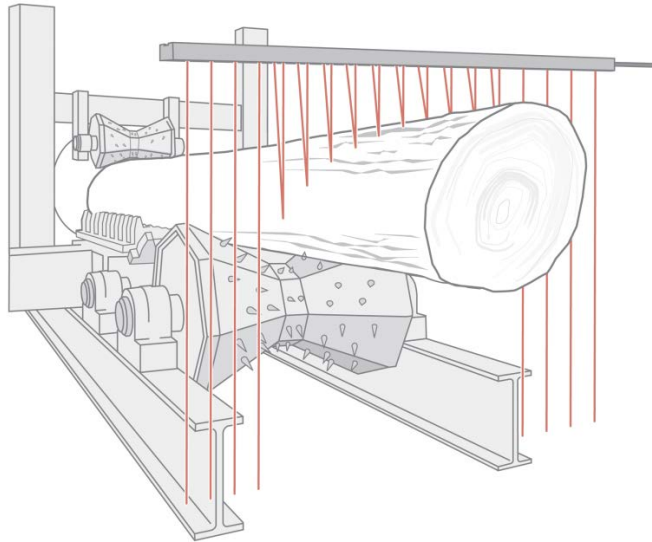
5



Water Resistance



Application Examples



Typical Application Examples:

Sawmill & wood industry, paper & pulp, material handling, gypsum/plaster board, etc.

“the only limit is your imagination”



**Available from
June 2015**

SGP 30 Series

Telco  *sensors*[®]



Thank you for your attention